



### Application Notes:

101  
102  
103E  
007

- Polarized, nonlatching hermetically sealed relay

• Contact arrangement **3PST/NO**

• Designed to the performance standards of **MIL-PRF-6106**

## PRINCIPLE TECHNICAL CHARACTERISTICS

- Contacts rated for **28 Vdc; 115 Vac, 400 Hz, 1 Ø and 115/200 Vac, 400 Hz, 3 Ø @400 Vac 60 Hz DELTA**
- Weight **0.80 lbs. max**
- Dimensions **1.46 x 2.5 x 2.45 in. max**
- **Balanced-force design, all welded construction**
- **Hermetically sealed, corrosion protected metal can**
- **No make before break**
- **Special models available upon request**

## CONTACT ELECTRICAL CHARACTERISTICS

| Contact rating per pole and load type | Load current in Amps |                |                        |                              |                      |
|---------------------------------------|----------------------|----------------|------------------------|------------------------------|----------------------|
|                                       | 28 VDC               | 115 Vac /400Hz | 115/200 Vac 400 Hz, 3Ø | 120/208 Vac 50/60 Hz 1 & 3 Ø | @400 Vac 60 Hz DELTA |
| Resistive                             | 25A                  | 25A            | 25A                    | 25A                          | 3.5A                 |
| Inductive                             | 15A                  | 25A            | 25A                    | 25A                          | -                    |
| Motor                                 | 20A                  | 20A            | 20A                    | 12A                          | -                    |
| Lamp                                  | 10A                  | 10A            | 10A                    | 10A                          | -                    |
| Resistive overload                    | 80A                  | 120A           | 120A                   | -                            | -                    |
| Rupture resistive                     | 100A                 | 150A           | 150A                   | -                            | -                    |

### COIL CHARACTERISTICS (Vdc)

| COIL DATA                                   | 28 Vdc | 115 Vac 400 Hz | 115 Vac 50/60 Hz | Suppressed Vdc |
|---|--------|----------------|------------------|----------------|
| Nominal operating voltage                   | 28     | 115            | 115              | 28             |
| Maximum operating voltage                   | 29     | 128            | 124              | 29             |
| Maximum Pick-up voltage @ +125° C           | 18     | 95             | 95               | 18             |
| Drop-out voltage, max                       | 7      | 40             | 40               | 7              |
| Coil resistance $\Omega \pm 10\%$ at +25° C | 160    | -              | -                | 160            |
| Coil current max. mA at +25° C              | -      | 55             | 60               | -              |

### GENERAL CHARACTERISTICS

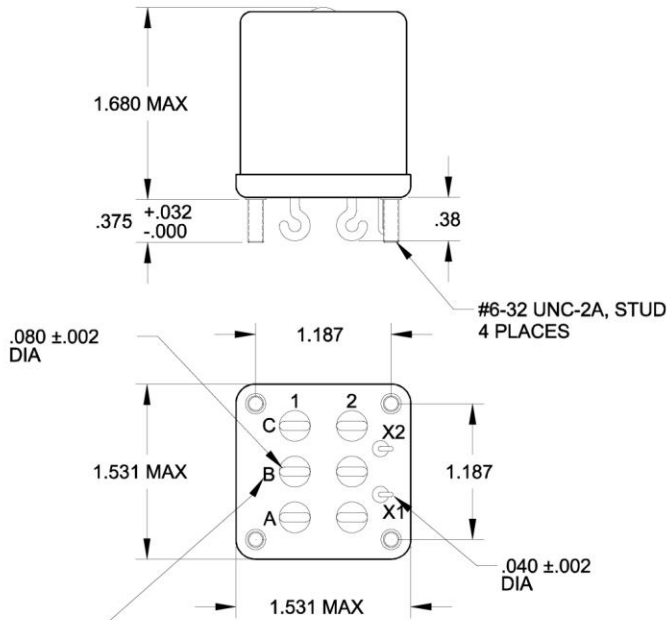
|  |   |
|--|---|
| Temperature range                                      | -70°C to +125°C                                 |
| <b>Dielectric strength at sea level all points</b>     |   |
| All circuits to ground and circuit to circuit          | 1500 Vrms / 50 Hz                               |
| Coil to ground   | 1250 Vrms / 50 Hz                               |
| Dielectric strength at altitude 80,000 ft              | 500 Vrms / 50Hz<br>(250 Vrms gasket compressed) |
| <b>Insulation resistance</b>                           |   |
| Initial (500 Vdc)                                      | 100 M $\Omega$ min                              |
| Sinusoidal vibration                                   | 10G (55 to 1500 Hz)                             |
| Mechanical shock                                       | 50 G / 11 ms                                    |
| Maximum contact opening time under vibration and shock | 10 $\mu$ sec                                    |
| <b>Operate time at nominal voltage</b>                 |   |
| DC   | 20 ms max                                       |
| AC   | 20 ms max                                       |
| <b>Release time at nominal voltage</b>                 |   |
| DC   | 10 ms max                                       |
| AC   | 50 ms max                                       |
| Contact make bounce at nominal voltage                 | 2 ms max  |

Unless otherwise noted, the specified temperature range applies to all relay characteristics.

Dimensions in inches  
Tolerances, unless otherwise specified  
XXX ± .010  
XX ± .03

### MOUNTING STYLES

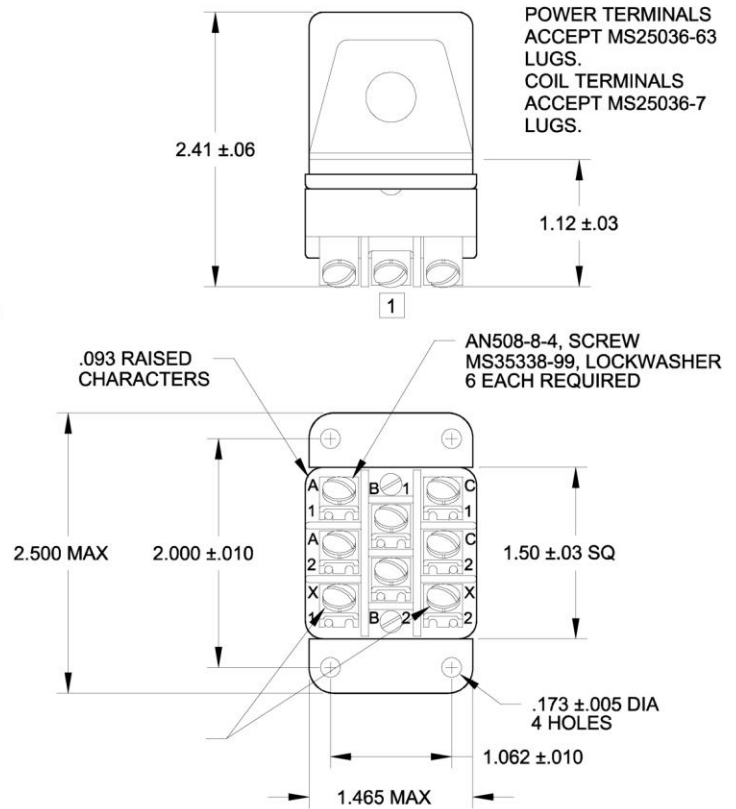
#### MOUNTING STYLE 1



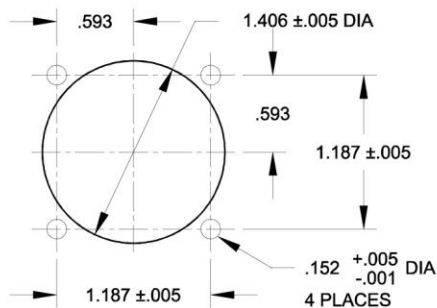
LETTERS AND NUMBERS ARE FOR REFERENCE ONLY AND DO NOT APPEAR ON HEADER  
LES CHIFFRES ET LES LETTRES SONT POUR LA REFERENCE UNIQUEMENT, ELLES N'APPARAISSENT PAS SUR LA TETE

| MODEL NUMBER | WEIGHT (MAX) |
|--------------|--------------|
| 9324-8214    | .50 LB       |
| 9324-8215    | .50 LB       |
| 9324-10126   | .50 LB       |
| 9324-10314   | .51 LB       |

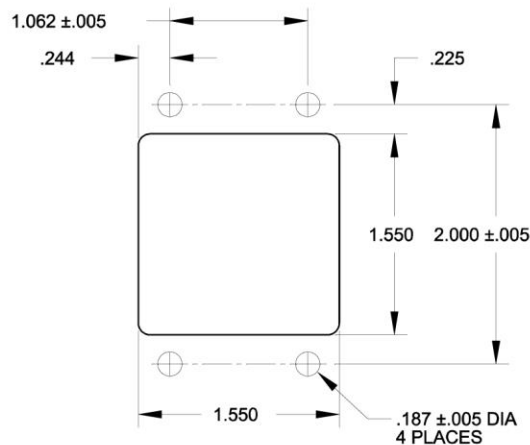
#### MOUNTING STYLE 2



| MODEL NUMBER | WEIGHT (MAX) |
|--------------|--------------|
| 9324-7424    | .60 LB       |
| 9324-8213    | .60 LB       |
| 9324-7871    | .65 LB       |
| 9324-10128   | .65 LB       |
| 9324-10315   | .66 LB       |



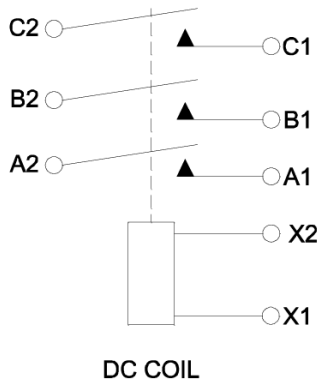
SUGGESTED MOUNTING HOLE LAYOUT FOR STUD MOUNTING  
SUGGESTION DE LA DISPOSITION DES TROUS DE MONTAGE POUR MONTAGE AVEC GOUJON



SUGGESTED MOUNTING HOLE LAYOUT FOR BRACKET MOUNTING  
SUGGESTION DE LA DISPOSITION DES TROUS DE MONTAGE POUR MONTAGE SUR STRUCTURE

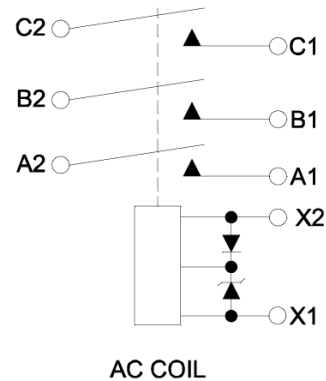
## SCHEMATIC DIAGRAM

### SCHEMATIC DIAGRAM 1



MODEL NUMBER  
9324-8214  
9324-7424

### SCHEMATIC DIAGRAM 2



MODEL NUMBER  
9324-8213  
9324-8215  
9324-7871  
9324-10126  
9324-10128

## NUMBERING SYSTEM

| TERMINAL    | MOUNTING | 28 VDC                  | SUPPRESSED<br>28 VDC     | 115 VAC, 400 HZ         | 115 VAC, 60 HZ                        |
|-------------|----------|-------------------------|--------------------------|-------------------------|---------------------------------------|
| Solder Hook | Stud     | 9324-8214<br>MS27418-1B | 9324-10314<br>MS27418-1D | 9324-8215<br>MS27418-1A | 9324-10126<br>MS27418-1C              |
| Screw       | Bracket  | 9324-7424<br>MS27418-2B | 9324-10315<br>MS27418-2D | 9324-8213<br>MS27418-2A | 9324-7871<br>9324-10128<br>MS27418-2C |

\*Specials available upon request, please contact factory.

## NOTES

1. Isolation spacer pads for PCB mounting available on request.
2. For other mounting styles or terminal types, please contact the factory
3. Qualification and quality levels : Contact the factory
4. Coil time constant L/R : 11ms
5. Relay will not be damaged by applying reverse voltage to the coil although the relay may transfer.
6. Suppressed coils have back EMF suppression to 42 Volts.

For any inquiries, please contact your local sales representative: leachcorp.com